

# McKissick® Oilfield Drilling Blocks

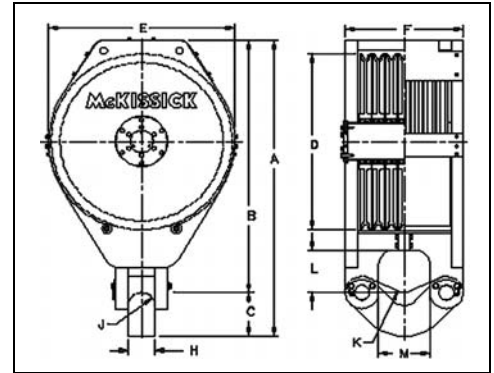
**SEE APPLICATION AND WARNING INFORMATION**  
 Para Español: [www.thecrosbygroup.com](http://www.thecrosbygroup.com) On Pages 342-349

## DRILLING BLOCKS



## RP Style Traveling Blocks

- Capacities Available: 250, 350, 500, 750 and 1000 Tons
- Double row, pre-adjusted tapered bearings with seals.
- Blocks contain McKissick® Roll-Forged® sheaves with flame hardened grooves
  - Grooves are API profile
- Separate lubrication channel to each sheave.
- Easy opening guards for quick string-up (no bolts to pull out and lose).
- Bail design to adapt to comparable capacity drilling equipment
- Additional weights available upon request.
- Manufactured to the requirements of API 8C, including all documentation.
  - Each block is individually serialized for full traceability.
  - Furnished with Certificate of Conformance.
- Minimum design temperature of -20 degree C (-4 degree F).
- Standard top coat finish is safety orange enamel.
  - Other paint colors and systems are available on request.
  - Individual parts are primer coated on exposed surfaces.
- Block side plates can be drilled to adapt customer supplied equipment.
- Easy bail pin removal.
- All sizes are **RFID EQUIPPED**.



## RP Style Drilling Blocks

Working Load Limit Tons	Sheave Diameter (mm)	Standard Wire Rope Size (mm)*	Weight Each (kg)	Dimensions (mm)										
				A	B	C	D	E	F	H	J	K	L	M
250	914	28	2540	1880	1600	279	914	991	616	127	63.5	88.9	276	202
250	1067	28	3198	2032	1753	279	1067	1118	616	127	63.5	88.9	276	202
350	1067	32	3243	2032	1753	279	1067	1118	616	127	63.5	88.9	276	202
500	1524	35	7303	2496	2140	356	1524	1562	832	152	88.9	102	381	324
750	1524	38	9888	2724	2343	381	1524	1562	991	229	114	127	470	432
1000	1829	44	17463	3232	2775	457	1829	1880	1226	229	127	159	502	540

\* May be furnished in other wire rope sizes.

McKissick Blocks