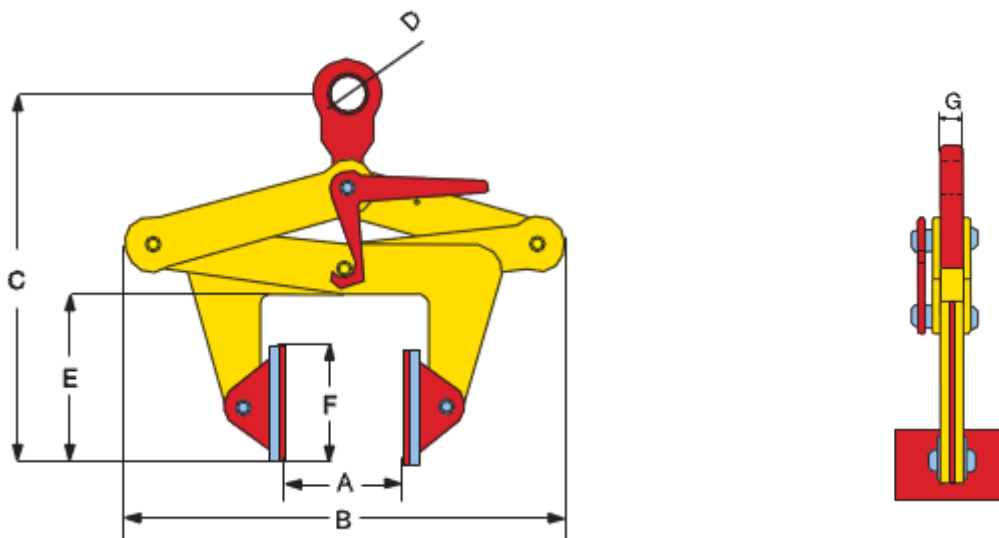


## CLESTI / CLEME DE RIDICARE SI MANEVRARE PE VERTICALA A PLACILOR DE OTEL, LEMN, PLASTIC, BETON, MARMURA ETC.

### MODEL TBLC – PRODUCTIE TERRIER



MODEL	NUMAR REFERINTA	CAPACITATE (kg)	DESCHIDERE ( A ) mm	B min-max	C min-max	D	E min-max	F	G	GREUTATE PROPRIE (kg)
0,25 TBLC	54E070025A	250	0-120	320-360	150-450	30	140-150	70*80	15	6
0,5 TBLC	54E070050A	500	0-120	320-360	150-450	30	140-150	70*80	15	6
1 TBLC	54E070100A	1000	60-250	510-660	350-530	45	180-220	100*120	17	15
1,5 TBLC	54E070150A	1500	120-500	600-825	600-1200	65	250-300	100*120	20	15
2 TBLC	54E070200A	2000	60-250	510-660	350-550	45	180-220	100*120	17	28
3 TBLC	54E070300A	3000	120-500	600-825	600-1200	65	250-300	100*120	20	32